

CTS Series of Split core Current Transformers

CTS Series (secondary output 0.333V, Suitable for measuring the cable current)

The YUANXING CTS series of split core current transformers are designed for fast and easy installation. The split core design permits non-contact current measurements through magnetic field induction without requiring that the primary wire be taken offline and disconnected for CT installation. This method permits a safer, easier and portable current measurement.

An internal precision burden resistor across the secondary winding of the CT provides a safe low voltage output and permits safe opening of the secondary.



CTS Series

CTSA Series

CTSB Series

FEATURES

- Low cost
- Clamp-on core design; safer, easier installation, portable.

APPLICATIONS

- Measures AC current flow to electric motors, lighting, air conditioning equipment, etc. Compatible with HVAC temperature control, power management, building automation systems.

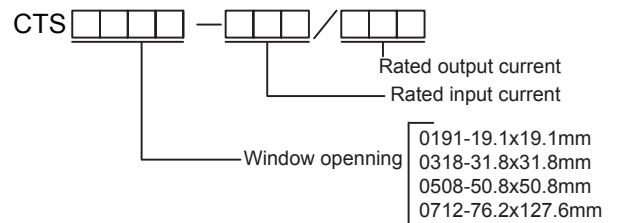
SPECIFICATIONS

- Rated Output :0.333Vac
- Accuracy:±1% from 10% to 130% of rated current
- Phase Angle:less than 2 degrees at 50% of rated current
- Case Material:ABS Resin UL flame retardant rating 94-V0
- Construction:Epoxy encapsulated housing
- Insulation Voltage:600Vac
- Frequency Range:50/60Hz
- Operating Temperature:-15°C to 60°C
- Leads: 0.61m (2 Foot), UL 1015, Twisted Pair, 0.34mm² (22AWG) , The length can be customized
- UL&CE recognized

PERFORMANCES

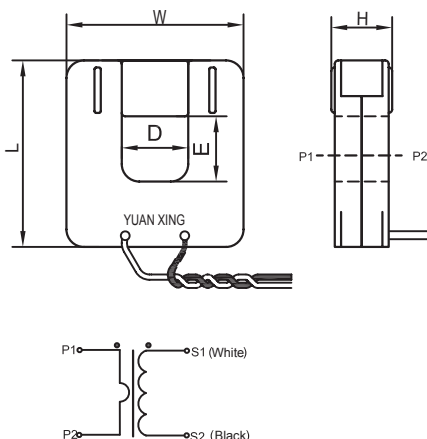
Part Number	Rated Input\Output	Frequency (Hz)	Secondary Burden Resistance (Ohms)	Accuracy Class	Outline Dimensions L-W-H (mm)
CTS0191	Input: 5,10,30,50,75,100,150,200A Output:0.333V	50 to 400	≥100K	1.0	53.3-50.8-17.0
CTS0318	Input:75,100,150,200,300,400,600A Output:0.333V	50 to 400	≥100K	1.0	85.1-82.5-27.0
CTS0508	Input: 100,200,300,600,800,1000,1500A Output:0.333V	50 to 400	≥100K	1.0	127.0-121.0-30.0
CTS0712	Input: 600,800,1000,1500,2000,2500,3000A Output:0.333V	50 to 400	≥100K	1.0	190.0-145.0-27.6

PART NUMBER



OUTLINE DRAWINGS AND DIMENSIONS

unit:mm (inch)



Part Number	L	W	H	D	E
CTS0191	53.3 (2.098)	50.8 (2.000)	17.0 (0.670)	19.1 (0.752)	19.1 (0.752)
CTS0318	85.1 (3.350)	82.5 (3.248)	26.0 (1.024)	31.8 (1.252)	31.8 (1.252)
CTS0508	127.0 (5.000)	121.0 (4.764)	30.0 (1.181)	50.8 (2.000)	50.8 (2.000)
CTS0712	190.0 (7.480)	145.0 (5.709)	27.6 (1.087)	76.2 (3.000)	127.6 (5.024)

SHANDONG YUANXING Electronics Co.,Ltd.

Phone: +86-533-381-8450
Fax: +86-533-381-8724

NO.39, QIXIN AVENUE, ZHANGDIAN,
ZIBO, SHANDONG, CHINA 255095

www.yuanxing.net
sales@yuanxing.net